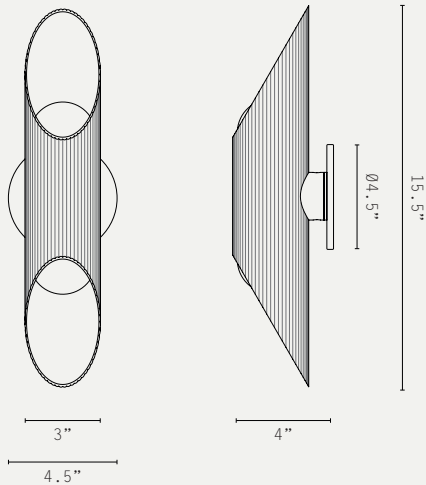


VECTOR WALL LIGHT (US WIRED)



LIGHT SOURCE:

G9 LAMP BASE
(4W MAX LED ONLY)

LAMP SUPPLIED:

2 X G9 LED / 2700K / 3W /
250 LUMENS

DIMMABLE:

PHASE DIMMING (USING SUPPLIED
LAMP)

VOLTAGE:

120V AC

CERTIFICATIONS:

UL (ON REQUEST)

MATERIALS:

BRASS, OPAL GLASS

WEIGHT:

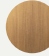
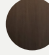
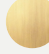
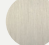
3.5 LB (APPROX)

ADDITIONAL INFO:

DESIGNED BY WILL EARL 2020

MADE IN ENGLAND

METAL FINISHES:

-  ANTIQUE BRASS
-  BRONZE
-  SATIN BRASS
-  SATIN NICKEL

PRODUCT CODES:

- U.VEC.WL1.AB - ANTIQUE BRASS
- U.VEC.WL1.BZ - BRONZE
- U.VEC.WL1.SB - SATIN BRASS
- U.VEC.WL1.SN - SATIN NICKEL