

J.ADAMS&Co

STRATA 1600 PENDANT (US WIRED)



LIGHT SOURCE:

LINEAR 24V LED MODULE / 2700K
35W / 5520 LUMENS

DIMMING:

PHASE DIMMING USING SUPPLIED
24V DRIVER

VOLTAGE:

24V D.C (120V A.C - 24V DC
DRIVER LOCATED IN CEILING
CANOPY)

CERTIFICATIONS:

UL ON REQUEST

MATERIALS:

BRASS, GLASS

WEIGHT:

26.5 LB (APPROX)

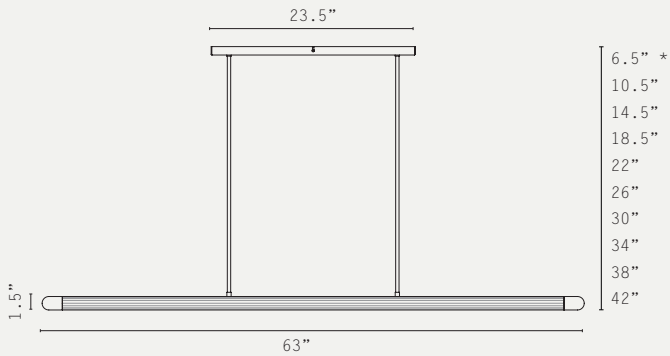
SUSPENSION:

DROP ROD AT 4" INCREMENTS

ADDITIONAL INFO:

DESIGNED BY WILL EARL 2023
MADE IN ENGLAND

SIDE

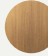
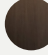
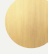
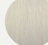


TOP




*choose total drop - longer drop available at extra cost

METAL FINISHES:

-  ANTIQUE BRASS
-  BRONZE
-  SATIN BRASS
-  SATIN NICKEL

GLASS OPTIONS:

-  CLEAR REEDED GLASS

PRODUCT CODES:

- U.STR.P160.AB.CRG - ANTIQUE BRASS / CLEAR REEDED GLASS
- U.STR.P160.BZ.CRG - BRONZE / CLEAR REEDED GLASS
- U.STR.P160.SB.CRG - SATIN BRASS / CLEAR REEDED GLASS
- U.STR.P160.SN.CRG - SATIN NICKEL / CLEAR REEDED GLASS