

STRATA 1200 PENDANT (US WIRED)



LIGHT SOURCE:

LINEAR 24V LED MODULE / 2700K
32W / 3990 LUMENS

DIMMING:

PHASE (MAINS) DIMMING USING
SUPPLIED 24V DRIVER

VOLTAGE:

24V D.C (DRIVER LOCATED IN
CEILING CANOPY)

CERTIFICATIONS:

UL ON REQUEST

MATERIALS:

BRASS, GLASS

WEIGHT:

25 LB (APPROX)

OPTIONAL ACCESSORIES:

DALI DRIVER
0-10V DRIVER

SUSPENSION:

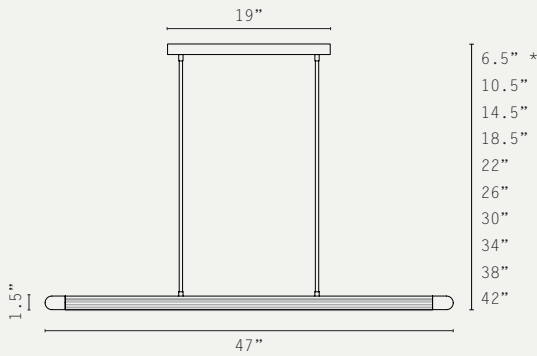
DROP ROD AT 4" INCREMENTS

ADDITIONAL INFO:

DESIGNED BY WILL EARL 2024

MADE IN ENGLAND

SIDE

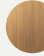
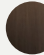
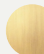
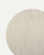


BOTTOM




*choose total drop - longer drop available at extra cost

METAL FINISHES:

-  ANTIQUE BRASS
-  BRONZE
-  SATIN BRASS
-  SATIN NICKEL

GLASS OPTIONS:

-  CLEAR REEDED GLASS

PRODUCT CODES:

- U.STR.P12.AB.CRG - ANTIQUE BRASS / CLEAR REEDED GLASS
- U.STR.P12.BZ.CRG - BRONZE / CLEAR REEDED GLASS
- U.STR.P12.SB.CRG - SATIN BRASS / CLEAR REEDED GLASS
- U.STR.P12.SN.CRG - SATIN NICKEL / CLEAR REEDED GLASS