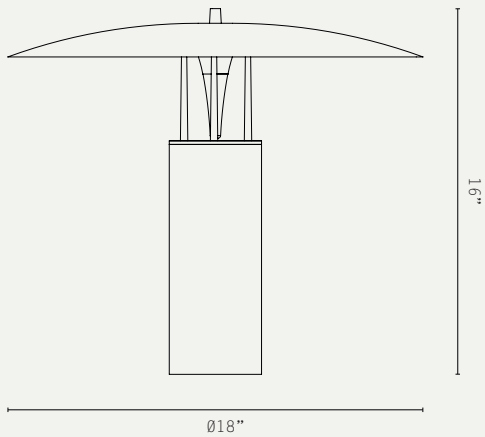


LUNA TABLE LIGHT (US WIRED)



LAMP BASE:

GU10 (4W MAX, LED)

LAMP SUPPLIED:

1 X GU10 LED / 3000K / 4W /
250 LUMENS

VOLTAGE:

120V AC

CERTIFICATIONS:

UL (ON REQUEST)

MATERIALS:

BRASS, NATURAL STONE

WEIGHT:

14 LB (APPROX)

FLEX:

7' COTTON BRAIDED FLEX WITH
INLINE ON/OFF SWITCH

OPTIONS / ACCESSORIES:

- DESK FIXING
- INLINE DIMMER SWITCH

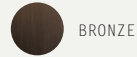
ADDITIONAL INFO:

DESIGNED BY WILL EARL 2021
MADE IN ENGLAND

METAL FINISHES:



ANTIQUÉ BRASS



BRONZE

STONE OPTIONS:



BLACK MARBLE



RED MARBLE



TRAVERTINE

PRODUCT CODES:

U.LUN.T.AB.BM - ANTIQUÉ BRASS / BLACK MARBLE

U.LUN.T.AB.RM - ANTIQUÉ BRASS / RED MARBLE

U.LUN.T.AB.TV - ANTIQUÉ BRASS / TRAVERTINE

U.LUN.T.BZ.BM - BRONZE / BLACK MARBLE

U.LUN.T.BZ.RM - BRONZE / RED MARBLE

U.LUN.T.BZ.TV - BRONZE / TRAVERTINE