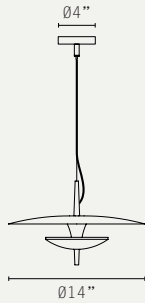


## LUNA PENDANT (US WIRED)



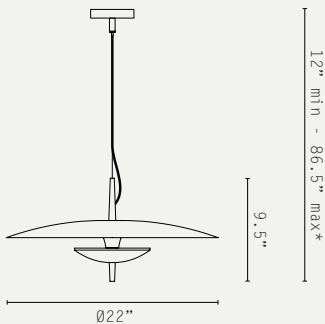
LUNA 350:



LUNA 450:



LUNA 550:



\*longer cable available at extra cost

**LIGHT SOURCE:**

INTEGRATED LED MODULE / 2700K  
/ 9.5W / 1000 LUMENS

**DIMMABLE:**

PHASE DIMMING

**VOLTAGE:**

120V AC

**CERTIFICATIONS:**

UL (ON REQUEST)

**MATERIALS:**

BRASS, NATURAL STONE

**WEIGHT:**

LUNA 350: 6.5 LB (APPROX)

LUNA 450: 7.5 LB (APPROX)

LUNA 550: 9 LB (APPROX)

**HANGING OPTIONS:**

- SUSPENSION WIRE WITH CABLE
- DROP ROD (ON REQUEST)

**ADDITIONAL INFO:**

DESIGNED BY WILL EARL 2021

MADE IN ENGLAND

**METAL FINISHES:**



ANTIQUÉ BRASS

**STONE OPTIONS:**



BLACK MARBLE



RED MARBLE



TRAVERTINE

**PRODUCT CODES:**

**LUNA 350**

U.LUN.P35.AB.BM - ANTIQUÉ BRASS / BLACK MARBLE

U.LUN.P35.AB.RM - ANTIQUÉ BRASS / RED MARBLE

U.LUN.P35.AB.TV - ANTIQUÉ BRASS / TRAVERTINE

**LUNA 450**

U.LUN.P45.AB.BM - ANTIQUÉ BRASS / BLACK MARBLE

U.LUN.P45.AB.RM - ANTIQUÉ BRASS / RED MARBLE

U.LUN.P45.AB.TV - ANTIQUÉ BRASS / TRAVERTINE

**LUNA 550**

U.LUN.P55.AB.BM - ANTIQUÉ BRASS / BLACK MARBLE

U.LUN.P55.AB.RM - ANTIQUÉ BRASS / RED MARBLE

U.LUN.P55.AB.TV - ANTIQUÉ BRASS / TRAVERTINE