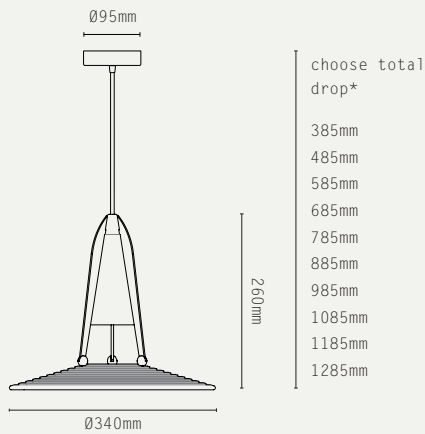


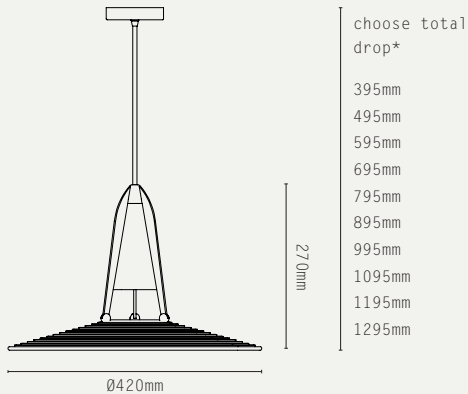
## ARAGON PENDANT



ARAGON 340:



ARAGON 420:



\*longer drop available at extra cost

**LIGHT SOURCE:**

GU10 LAMP BASE  
(12W MAX, LED ONLY)

**LAMP SUPPLIED:**

1 X GU10 MR11 LED / 2700K /  
3.6W / 290 LUMENS

**DIMMABLE:**

PHASE (MAINS) DIMMING (USING  
SUPPLIED LAMP)

**VOLTAGE:**

240V AC (CLASS I)

**CERTIFICATIONS:**

CE / UKCA

**MATERIALS:**

BRASS, ALABASTER STONE

**WEIGHT:**

ARAGON 340: 4 KG (APPROX)  
ARAGON 420: 6 KG (APPROX)

**FLEX:**

2.5M AS STANDARD

**HANGING OPTIONS:**

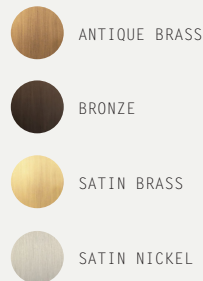
- DROP ROD AT 100MM INCREMENTS

**ADDITIONAL INFO:**

DESIGNED BY WILL EARL 2020

MADE IN ENGLAND

**METAL FINISHES:**



**PRODUCT CODES:**

**ARAGON 340**

ARA.P34.R.AB.WA - ANTIQUE BRASS / ALABASTER  
ARA.P34.R.BZ.WA - BRONZE / ALABASTER  
ARA.P34.R.SB.WA - SATIN BRASS / ALABASTER  
ARA.P34.R.SN.WA - SATIN NICKEL / ALABASTER

**ARAGON 420**

ARA.P42.R.AB.WA - ANTIQUE BRASS / ALABASTER STONE  
ARA.P42.R.BZ.WA - BRONZE / ALABASTER STONE  
ARA.P42.R.SB.WA - SATIN BRASS / ALABASTER STONE  
ARA.P42.R.SN.WA - SATIN NICKEL / ALABASTER STONE